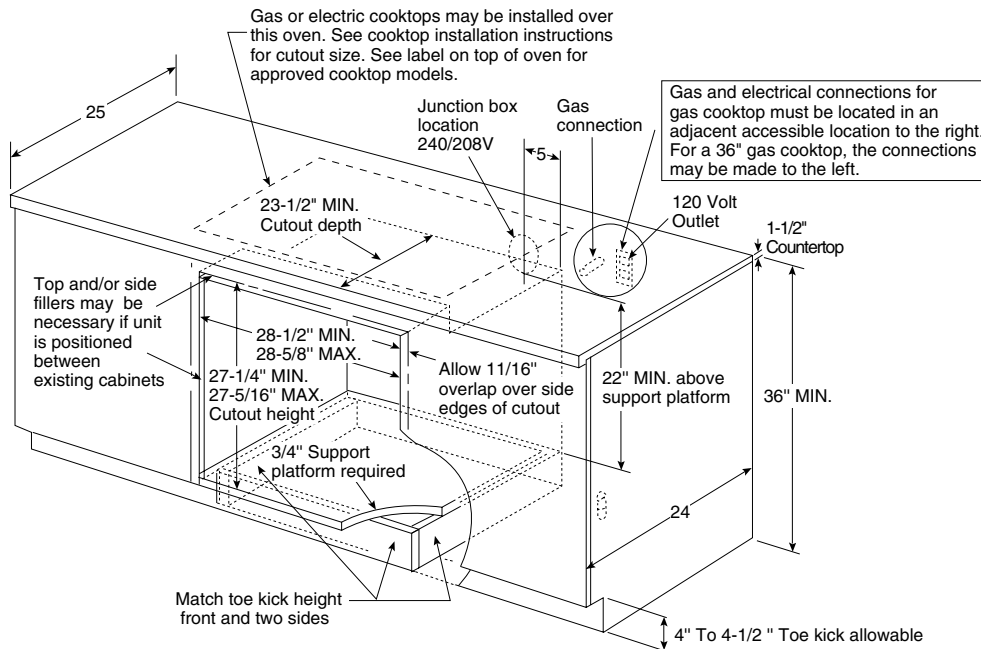




Profile™

JTP17SCSS - GE Profile™ 30" Single Wall Oven

Undercounter Installation (in inches)



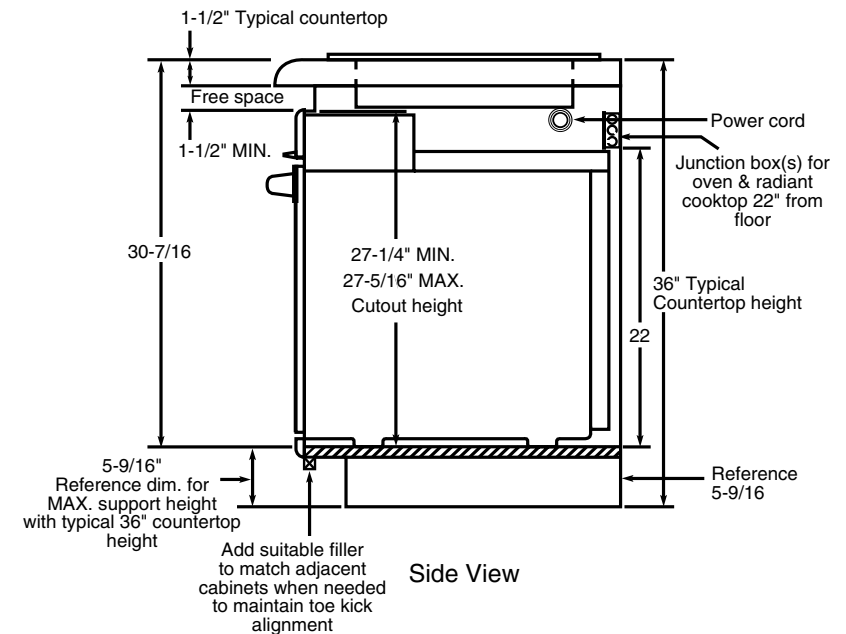
Note: Oven is rated for use only under the following cooktops:

- GE 30" and 36" electric coil and CleanDesign cooktops (Excluding Induction)
- GE 30" and 36" gas standard and sealed burner cooktops

Note: Gas or electric cooktops may be installed over this oven. See cooktop installation instructions for cutout size. See label on back of oven for approved cooktop models.

Installation Information: Before installing, consult installation instructions [Pub. No. 31-10125] packed with product for current dimensional data and for alternate installation options.

Optional Custom Installation for 30" CleanDesign (Excluding Induction) or Sealed Burner Gas Cooktop (in inches)



This installation is to achieve minimum gap between bottom of countertop and control panel.

Note: For this installation, the bottom trim **will not** be flush with a typical 4" toe kick.

Note: Cabinets installed adjacent to wall ovens must have an adhesion spec of at least 194°

For answers to your Monogram®, GE Profile Performance Series™, GE Profile™ or GE appliance questions, call GE Answer Center® service, 800.626.2000.

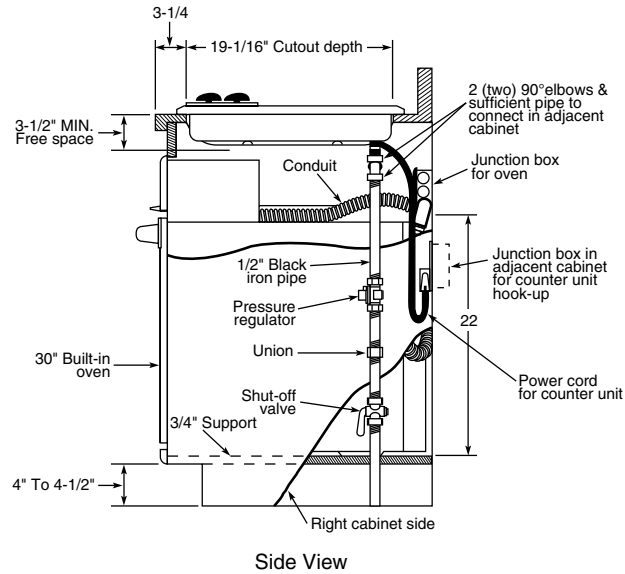




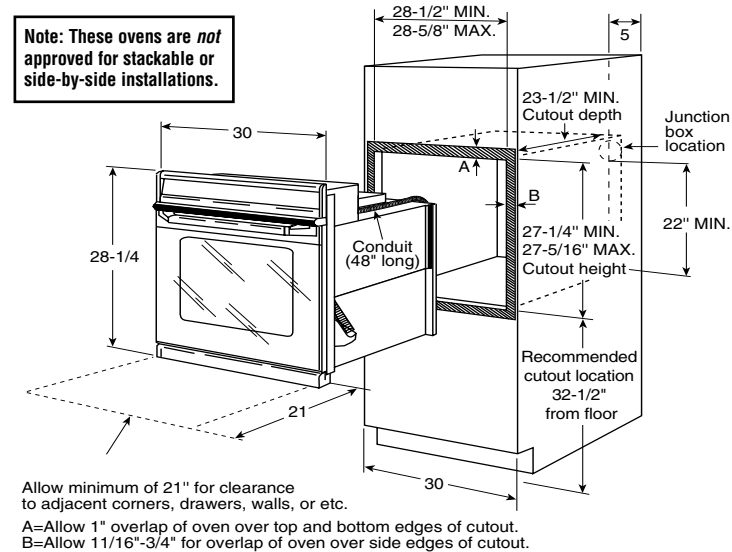
Profile™

JTP17SCSS - GE Profile™ 30" Single Wall Oven

Optional Undercounter Installation with 36" Gas Cooktop (in inches)



Single Oven Wall-Mount or Cabinet Installation Dimensions (in inches)



KW Rating	
240V	3.6
208V	2.7
Breaker Size	
20 Amps†	

†Note: Check local codes for required breaker size

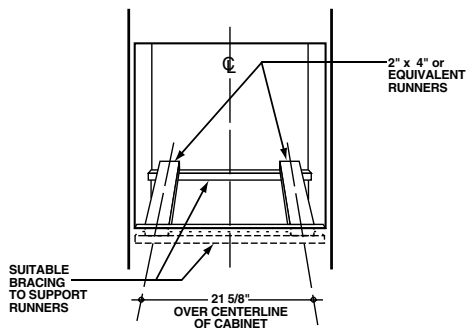
Note: Oven is rated for use only under the following cooktops:

- GE 30" and 36" electric coil and CleanDesign cooktops (Excluding Induction)
- GE 30" and 36" gas standard and sealed burner cooktops

Note: Gas or electric cooktops may be installed over this oven. See cooktop installation instructions for cutout size. See label on back of oven for approved cooktop models.

Installation Information: Before installing, consult installation instructions [Pub. No. 31-10125] packed with product for current dimensional data and for alternate installation options.

For answers to your Monogram®, GE Profile Performance Series™, GE Profile™ or GE appliance questions, call GE Answer Center® service, 800.626.2000.



Most 30" Wall Cabinets can be used with this unit.

Specification Revised 11/00

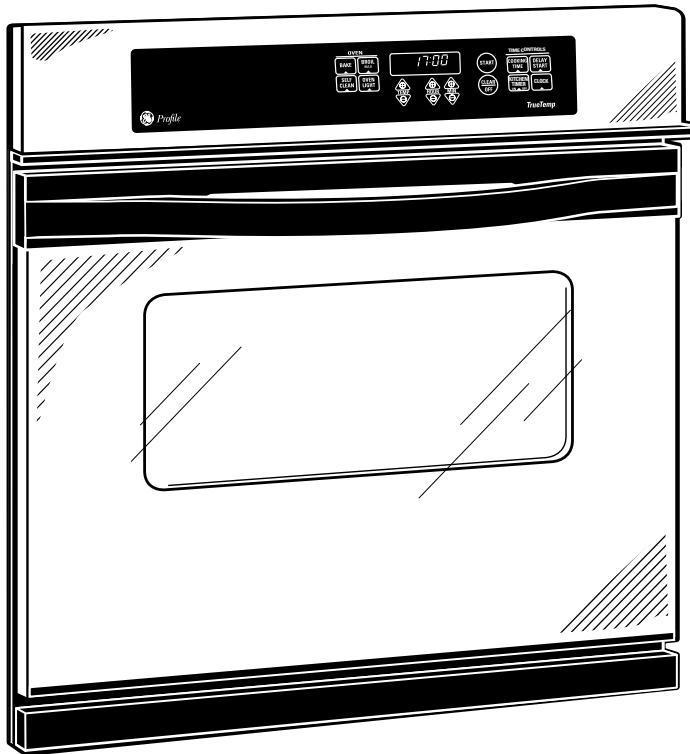


Listed by
Underwriters
Laboratories



Profile™

JTP17SCSS - GE Profile™ 30" Single Wall Oven



Features and Benefits

- TrueTemp™ System
- Extra Large Capacity Self-Clean Oven with Delay Clean Option
- SmartSet Electronic Oven Controls
- Electronic Clock and Kitchen Timer
- Variable Broil / Six-Pass Broil Element
- Extra-Large Broiler Pan with Grid
- 2 Oven Racks / 6 Embossed Rack Positions
- Up-Front Oven Light
- Frameless Glass Oven Door with Big-View Window
- Sure Grip Designer-Style Handle
- 30" Oven Cabinet Width Required
- Undercounter Installation Option
- Model JTP17SCSS - Stainless Steel